



Air Conditioning & Heating

GMVS96-U

HEATING INPUT: 60,000–80,000 BTU/H

ULTRA LOW NO_x, SINGLE-STAGE,
VARIABLE-SPEED ECM GAS FURNACE
UP TO 96% AFUE



Contents

| | |
|-----------------------------|---|
| Nomenclature..... | 2 |
| Product Specifications..... | 3 |
| Dimensions..... | 4 |
| Airflow Specifications..... | 5 |
| Accessories..... | 5 |
| Wiring Diagram..... | 6 |

Standard Features

- Integrated communicating ComfortBridge™ Technology
- Commissioning and diagnostics via indoor board Bluetooth with the CoolCloud™ phone and tablet application
- Heavy-duty stainless-steel tubular heat exchanger
- Super-ferritic Stainless-steel secondary heat exchanger
- Single-stage gas valve
- Durable Silicon Nitride igniter
- Quiet modulating induced draft blower
- Self-diagnostic control board with constant memory fault code history output to 3 x 7 segment display
- Eligible for installation in California’s South Coast Air Quality Management District (SCAQMD) and San Joaquin Valley Air Pollution Control District (SJVUAPCD). This furnace complies with the 14 ng/J NO_x emission limit in SCAQMD Rule 1111 and SJVUAPCD Rule 4905.
- EMI line filter kit must be installed. (It is intended for field installation only on “VS” model, Bluetooth® capable Ultra Low NO_x Gas Furnaces. The purpose of the EMI Filter is to reduce electromagnetic interference between the furnace and other electrical devices)
- AHRI Certified; ETL Listed

Cabinet Features

- Designed for multi-position installation — upflow, horizontal left or right
- Certified for direct vent (2-pipe) or non-direct vent (1-pipe)
- Easy-to-install top venting with optional side venting
- Convenient left or right connection for gas and electrical service
- Cabinet air leakage (Q_{Leak}) ≤ 1.4%
- Heavy-gauge steel cabinet with durable finish
- Fully insulated heat exchanger and blower section
- Airtight solid bottom or side return with easy-cut tabs for effortless removal in bottom air-inlet applications

LIFETIME
HEAT EXCHANGER
LIMITED WARRANTY*

10 YEAR
UNIT
REPLACEMENT
LIMITED
WARRANTY*

10 YEAR
PARTS
LIMITED
WARRANTY*

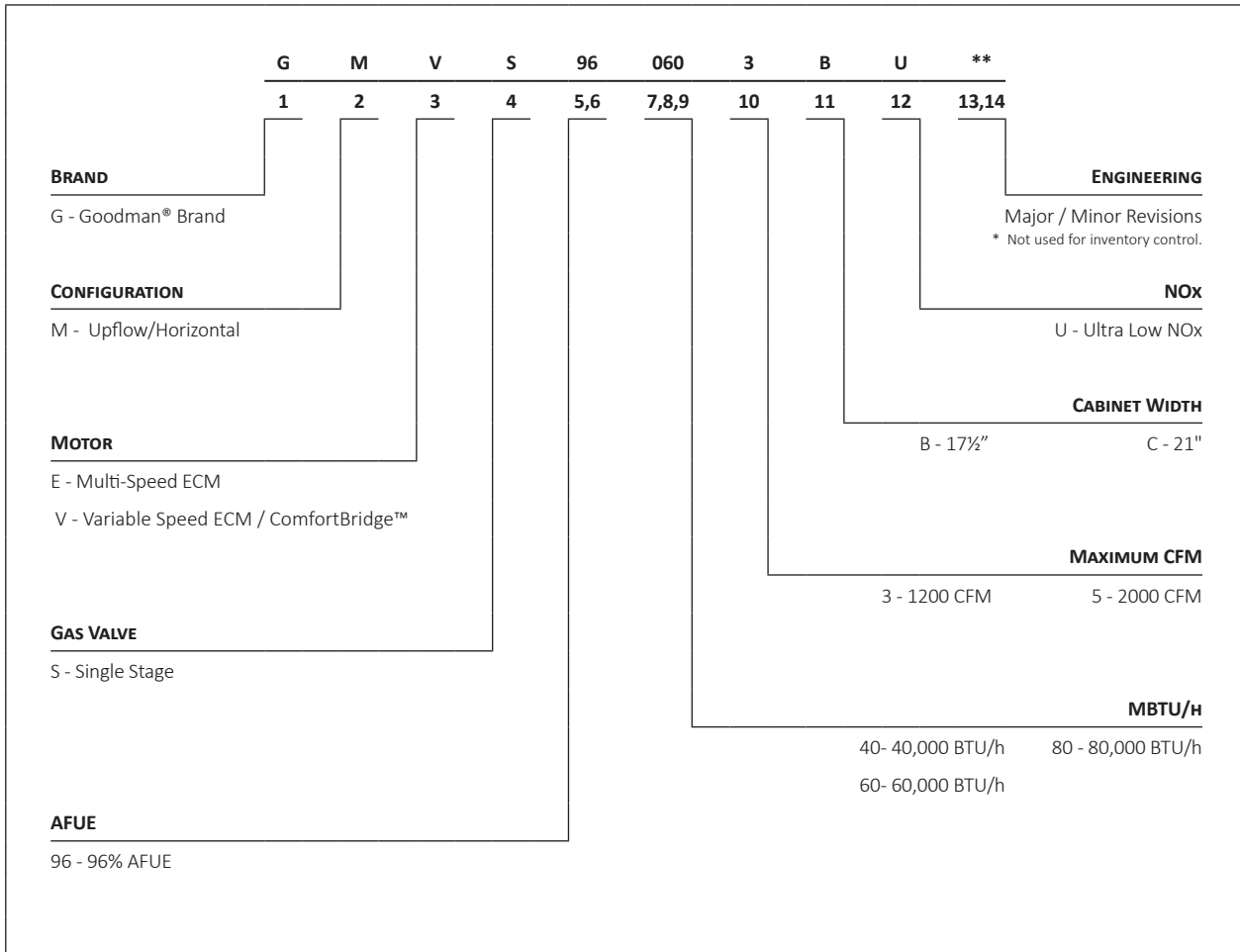


COMPANY WITH
QUALITY SYSTEM
CERTIFIED BY DNV GL
= ISO 9001 =

COMPANY WITH
ENVIRONMENTAL SYSTEM
CERTIFIED BY DNV GL
= ISO 14001 =

* Complete warranty details available from your local dealer or at www.amana-hac.com. To receive the Lifetime Heat Exchanger Limited Warranty (good for as long as you own your home), 10-Year Unit Replacement Limited Warranty and 10-Year Parts Limited Warranty, online registration must be completed within 60 days of installation. Online registration is not required in California or Québec.

NOMENCLATURE



| | GMVS96 0603BUA* | GMVS96 0805CUA* |
|---|------------------------------------|--|
| HEATING DATA | | |
| BTUH Input ¹ | 60,000 | 80,000 |
| BTUH Output ¹ | 57,600 | 76,880 |
| AFUE ² | 96 | 96 |
| Temperature Rise Range (°F) | 30 - 60 | 30 - 60 |
| Vent Diameter ³ | 2" - 3" | 2" - 3" |
| No. of Burners Ports | 1 Burner, 3 Tubes | 1 Burner, 4 Tubes |
| CIRCULATOR BLOWER | | |
| Available AC @ 0.5" ESP | 1.5 - 3 | 2 - 5 |
| Size (D x W) | 11" x 8" | 11" x 10" |
| Horsepower @ 1075 RPM | 0.5 | 1 |
| Speed | VS ECM | VS ECM |
| FILTER SIZE (IN²) (QTY) | (1) 16 x 25 (side or bottom) | (1) 20 x 25 (bottom) or (2) 16 x 25 (side) |
| ELECTRICAL DATA | | |
| Min. Circuit Ampacity ⁴ | 8.8 | 15.4 |
| Max. Overcurrent Device (amps) ⁵ | 15 | 20 |
| SHIPPING WEIGHT (LBS) | 122 | 147 |

¹ For Use with Natural Gas Only. For altitudes + 4,500 ft above sea level, see installation manual

² DOE AFUE based upon Isolated Combustion System (ICS)

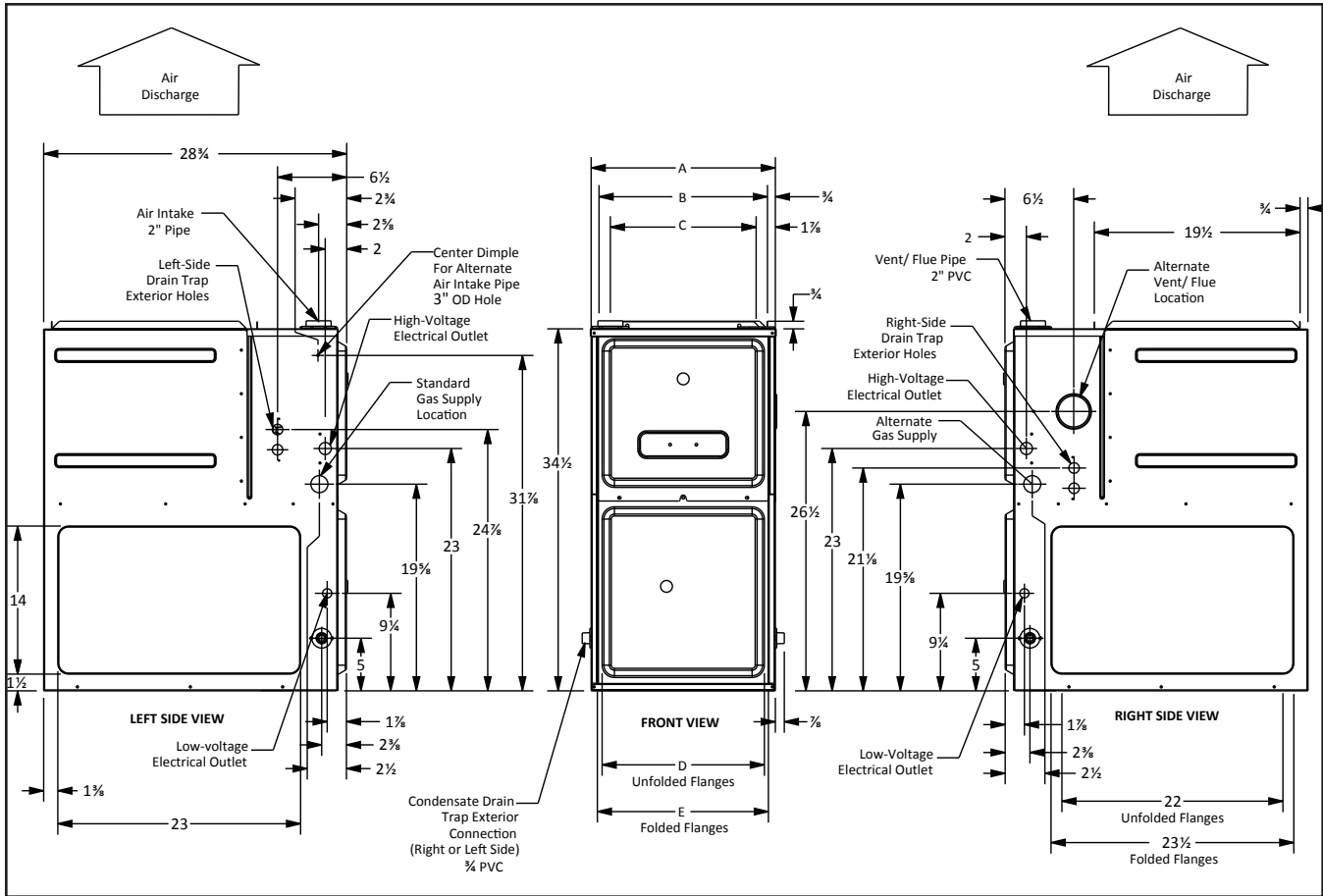
³ Installer must supply one or two PVC pipes: one for combustion air (optional) and one for the flue outlet (required). Vent pipe must be either 2" or 3" in diameter, depending upon furnace input, number of elbows, length of run and installation (1 or 2 pipes). The optional Combustion Air Pipe is dependent on installation/code requirements and must be 2" or 3" diameter PVC.

⁴ Minimum Circuit Ampacity = (1.25 x Circulator Blower Amps) + ID Blower amps. Wire size should be determined in accordance with National Electrical Codes. Extensive wire runs will require larger wire sizes.

⁵ Maximum Overcurrent Protection Device refers to maximum recommended fuse or circuit breaker size. May use fuses or HACR-type circuit breakers of the same size as noted.

NOTES

- All furnaces are manufactured for use on 115 VAC, 60 Hz, single-phase electrical supply.
- Gas Service Connection ½" FNPT
- Important: Size fuses and wires properly and make electrical connections in accordance with the National Electrical Code and/or all existing local codes.
- For bottom return: Failure to unfold flanges may reduce airflow by up to 18%. This could result in performance and noise issues.
- For servicing or cleaning, a 24" front clearance is required. Unit connections (electrical, flue and drain) may necessitate greater clearances than the minimum clearances listed above. In all cases, accessibility clearance must take precedence over clearances from the enclosure where accessibility clearances are greater.



| MODEL | W | D | H |
|--------------|---------|---------|---------|
| GMVS960603BU | 17 1/2" | 28 7/8" | 34 1/2" |
| GMVS960805CU | 21" | 28 7/8" | 34 1/2" |

| | AIR DISCHARGE | | | AIR RETURN | |
|--|---------------|---------|---------|------------|---------|
| | A | B | C | D | E |
| | 17 1/2" | 16" | 13 7/8" | 12 1/8" | 13 5/8" |
| | 21" | 19 1/2" | 17 7/8" | 16" | 17 1/2" |

MINIMUM CLEARANCES TO COMBUSTIBLE MATERIALS

| POSITION | SIDES | REAR | FRONT | BOTTOM | FLUE | TOP |
|------------|-------|------|-------|--------|------|-----|
| Upflow | 0" | 0" | 3" | C | 0" | 1" |
| Horizontal | 6" | 0" | 3" | C | 0" | 6" |

C = If placed on combustible floor, the floor MUST be wood ONLY.

(CFM & TEMPERATURE RISE VS. EXTERNAL STATIC PRESSURE)

| MODEL / TEMP RISE RANGE | GMVS960603BUA* 30-60 (45) | | GMVS960805CUA* 30-60-(45) | |
|--|------------------------------|------|------------------------------|------|
| | CFM | RISE | CFM | RISE |
| Recommended CFM for Heat Mode / Expected Temperature Rise | 1100 | 45 | 1650 | 45 |
| Lowest Recommended CFM for Heat Mode / Expected Temperature Rise | 990 | 55 | 1480 | 50 |

Note: To Set Heating CFM Using Push Buttons;

- 1) Scroll using Left or Right push buttons until gTF appears on the 7 segment display.
- 2) Press & release center button & display will show current heating airflow trim expressed as a percentage of max CFM.
- 3) Press & release Left or Right button until desired percentage appears.
- 4) Press & release center button once more to select the displayed percentage.

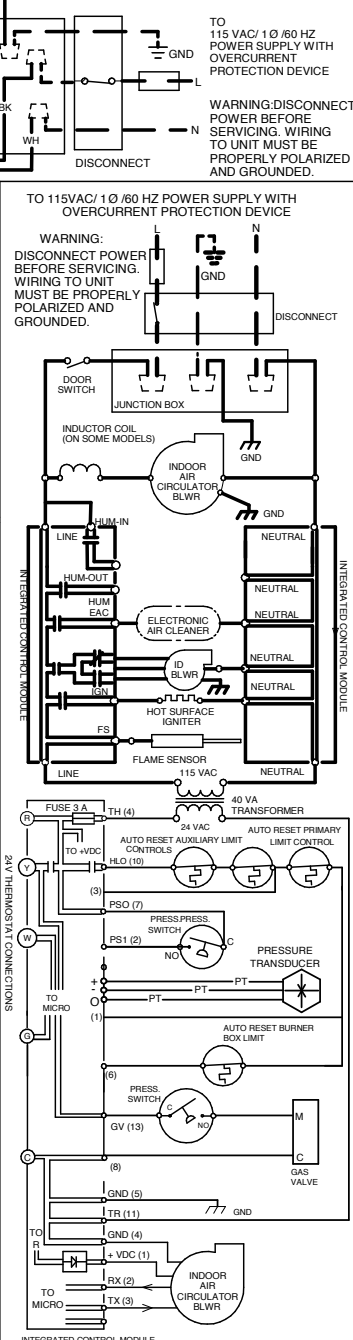
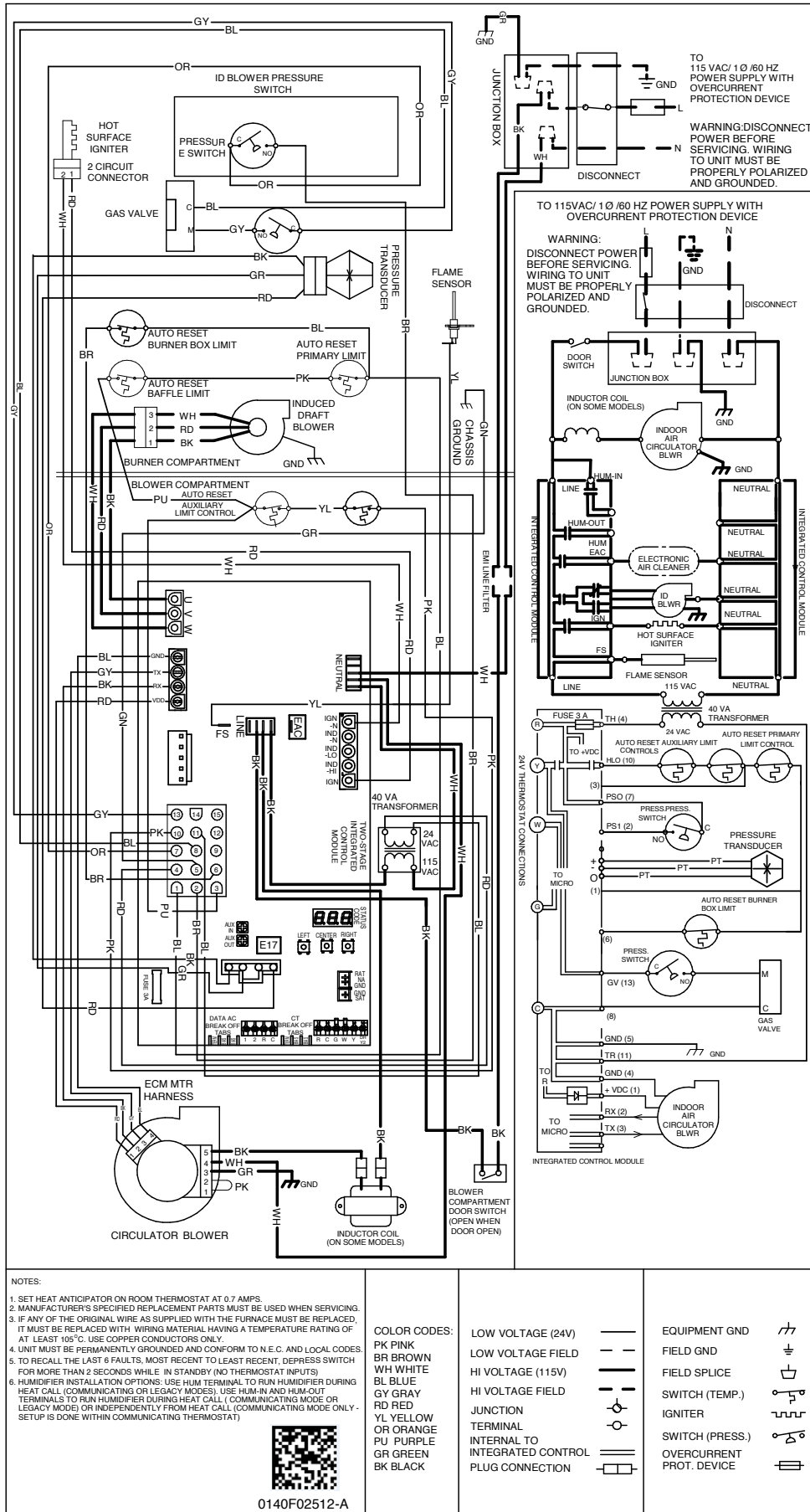
ACCESSORIES

| MODEL | DESCRIPTION | GMVS96 0603BU | GMVS96 0805CU |
|-------------|--|------------------|------------------|
| 72950 | Concentric Vent Kit (2") | √ | √ |
| 72951 | Concentric Vent Kit (3") | √ | √ |
| RF000142 | Drain Kit Horizontal Left Vertical Flue | √ | √ |
| EFR02 | External Filter Rack with 16"x25" Permanent Filter | √ | — |
| 0170K00000S | Flush Mount Vent Kit - 3" or 2" | √ | √ |
| 0170K00001S | Flush Mount Vent Kit - 2" | √ | √ |
| 0270F05404 | Horizontal Drain Tubing Kit | √ | √ |

MINIMUM FILTER SIZES

| | GMVS96 0603BU | GMVS96 0805CU |
|--------------------------------------|------------------------------|---|
| Filter Size (in ²) (Qty) | (1) 16 x 25 (side or bottom) | (1) 20 x 25 (bottom) or (2) 16 x 25 (side) |

Note: Other size filters of equal or greater dimensions may be used. Filters may also be centrally located.



High Voltage: Disconnect all power before servicing or installing this unit. Multiple power sources may be present. Failure to do so may cause property damage, personal injury, or death.

WARNING

Wiring is subject to change. Always refer to the wiring diagram on the unit for the most up-to-date wiring.

